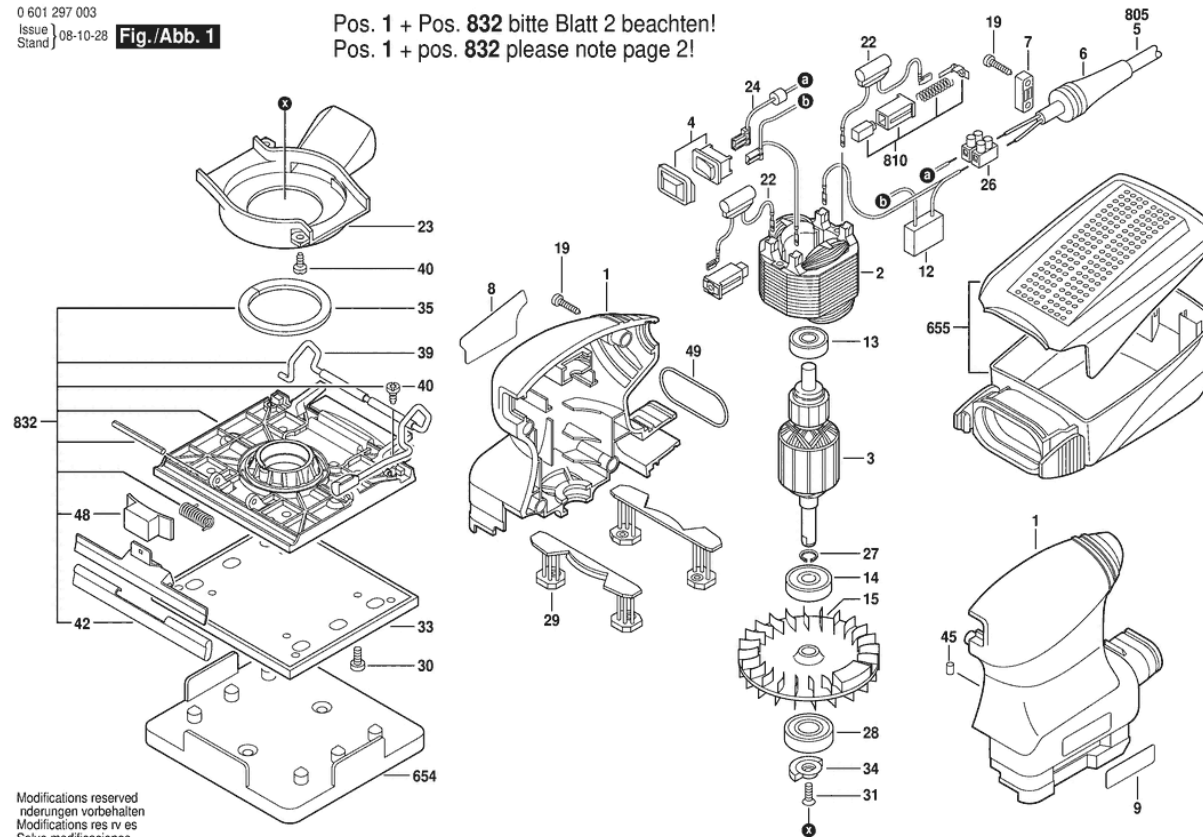


Illustration - Type - E

0 601 297 003
Issue
Stand 08-10-28

Fig./Abb. 1

Pos. 1 + Pos. 832 bitte Blatt 2 beachten!
Pos. 1 + pos. 832 please note page 2!



Modifications reserved
Änderungen vorbehalten
Modificaciones reservadas
Salvo modificaciones

Spare parts list

Item	Part Number	Description	Illustration
1	2 609 100 680	Housing	1
2	2 610 920 611	Field 230V	1
3	2 610 920 610	Armature 230V	1
4	1 607 200 190	Switch	1
6	2 600 703 017	Grommet Ø6,4-Ø7,2X76 MM	1
7	2 601 035 001	Cable Clip	1
8	2 610 921 049	Nameplate	1
9	2 610 921 050	Reference Plate	1
12	2 610 920 617	Suppression Filter	1
13	2 610 917 489	Ball Bearing	1
15	2 610 920 618	Fan	1
19	2 610 315 386	Screw ST3,9X19	1
22	2 610 920 619	Suppression Filter	1
23	2 610 920 620	Fan Cover	1
24	2 610 928 031	Cable	1
26	2 610 910 009	Connection Block	1
27	2 916 649 005	Spring retaining ring DIN471-8	1
28	2 609 110 748	Ball Bearing	1
29	2 610 921 132	Vibration Foot	1
30	2 610 915 161	Screw	1
31	2 610 991 395	Screw	1
33	2 610 920 631	Foam Panel	1
34	2 610 920 634	Counterweight	1
35	2 610 920 635	Felt	1
39	2 610 925 983	Clamp Handle	1
40	2 603 490 020	Torx Oval-Head Screw 4X8	1
42	2 609 101 232	Rubber Bar	1
45	2 610 350 103	Pin	1
48	2 610 920 651	Push Button	1
49	2 610 920 652	O-Ring	1
654	2 610 920 650	Punching Tool	1
655	2 609 199 193	Dust container	1
805	1 607 000 385	Power supply cord EU 2,6M 2 X 1,0 MM	1
810	2 610 924 701	Carbon-Brush Set	1

Spare parts list

Item	Part Number	Description	Illustration
832	2 609 100 684	Swing-Plate	1